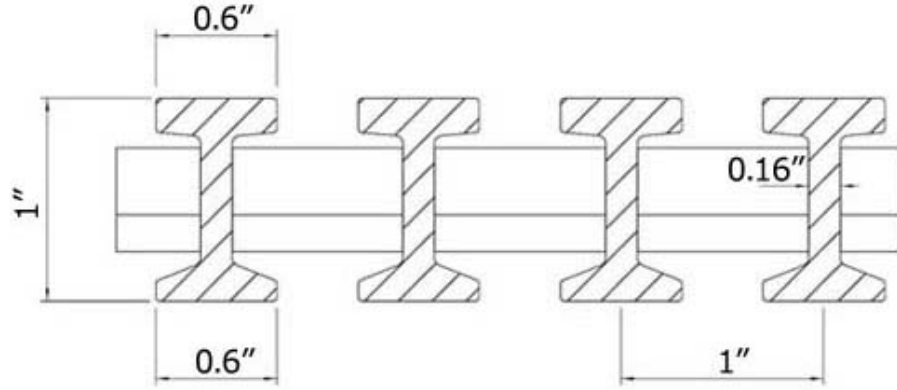
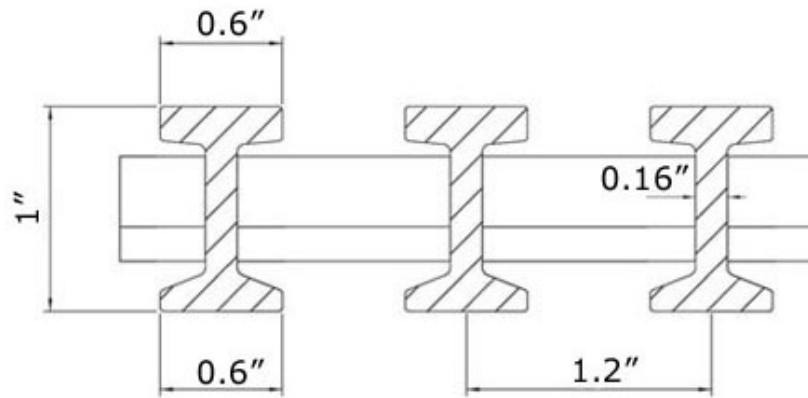


Fiberglass Pultruded Grating Details

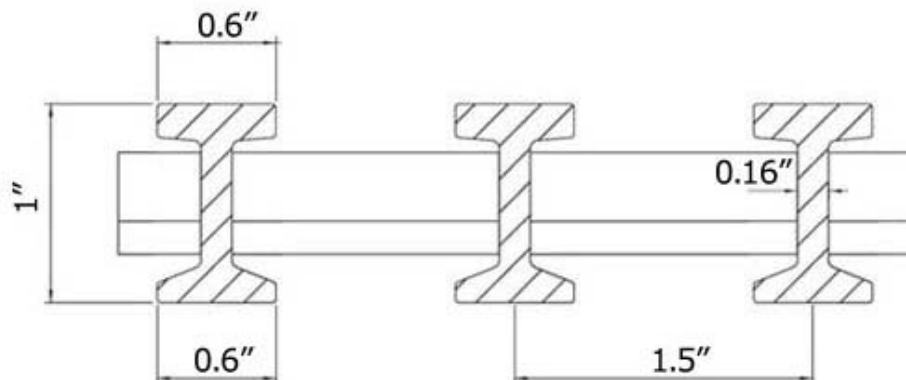
Series	Height of Bearing Bar	Width of Bearing Bar	Bearing Bar Spacing	Open Area	Approx. Weight (lbs/ft ²)
I10-40	1"	0.6"	1"	40%	3.5



Series	Height of Bearing Bar	Width of Bearing Bar	Bearing Bar Spacing	Open Area	Approx. Weight (lbs/ft ²)
I10-50	1"	0.6"	1.2"	50%	3.0



Series	Height of Bearing Bar	Width of Bearing Bar	Bearing Bar Spacing	Open Area	Approx. Weight (lbs/ft ²)
I10-60	1"	0.6"	1.5"	60%	2.4



Series	Height of Bearing Bar	Width of Bearing Bar	Bearing Bar Spacing	Open Area	Approx. Weight (lbs/ft ²)
I15-40	1.5"	0.6"	1"	40%	4.6

Series	Height of Bearing Bar	Width of Bearing Bar	Bearing Bar Spacing	Open Area	Approx. Weight (lbs/ft ²)
I15-50	1.5"	0.6"	1.2"	50%	3.9

Series	Height of Bearing Bar	Width of Bearing Bar	Bearing Bar Spacing	Open Area	Approx. Weight (lbs/ft ²)
I15-60	1.5"	0.6"	1.5"	60%	3.2

Series	Height of Bearing Bar	Width of Bearing Bar	Bearing Bar Spacing	Open Area	Approx. Weight (lbs/ft ²)
T20-50	2"	1"	2"	50%	3.3

